

EasyFit® Nasal Mask

Lightweight Comfort with a Superior Seal

The EasyFit Nasal Mask lives up to its name in many ways. It was designed by utilizing computer analyses of facial characteristics from 50,000 individuals globally. Identifying consistencies between most of these facial profiles attributed to the development of the **unique, scallop-shaped cushion**. Mask cushions are available in various sizes and are designed to fit and seal on a wide array of facial profiles.

The ball-and-socket joint at the tubing connector **accommodates even the most active sleeper** and contributes to the mask's overall comfort. The unique whisper-quiet EasyFit exhalation system is designed in such a way that neither the patient nor sleeping partner is disturbed by the flow of exhaled air.



EasyFit Nasal Mask
Silicone, Large
(DV97230)

Performance Features

- **Exceptionally quiet operation**
- Superior seal for snug fit without painful pressure
- Exceptionally lightweight, minimizes discomfort associated with other masks
- **Extremely durable and intuitive to size**
- **Unique ball-and-socket joint** allows for unsurpassed freedom of movement

Design Features

- **Minimalistic design** is easy to assemble, adjust and maintain
- Available in Small, Medium, Large and Extra Large sizes
- Replaceable cushions and forehead pads **available in silicone and gel**
- **Easy-to-use headgear** accommodates an array of head profiles and can be used on any EasyFit CPAP interface
- Adjustable forehead support with wider than average forehead cushions for **improved customization**
- Exhalation system allows air to escape in the direction of the hose
- Multi-patient use approved
- Latex-free

Reimbursement Information

Product Description	Code Description	HCPCS Coding	Frequency	Allowable Range
Mask Frame	Nasal interface (mask or cannula type) used with positive airway pressure device, with or without head strap	A7034	1 per 3 months	\$99.00 – \$117.60, initial setup
Headgear	Headgear used with PAP device, each	A7035	1 per 6 months	\$30.57 – \$35.97
Cushion	Cushion for use on nasal mask interface, replacement only, each	A7032	2 per 1 month	\$34.45 – \$40.53

Ordering Information

PRODUCT DESCRIPTION

ITEM NUMBER

DRAWING ITEM

Complete System

Frame, Cushions, and Headgear

Silicone, Small	DV97210	1 - 12
Silicone, Medium	DV97220	1 - 12
Silicone, Large	DV97230	1 - 12
Silicone, X-Large	DV97240	1 - 12

Gel, Small	DV97312	1 - 12
Gel, Medium	DV97322	1 - 12
Gel, Large	DV97332	1 - 12

Replacement Cushions

Silicone, Small	DV15812	12
Silicone, Medium	DV15813	12
Silicone, Large	DV15814	12
Silicone, X-Large	DV15815	12
Forehead Cushion, Silicone	DV97300	2

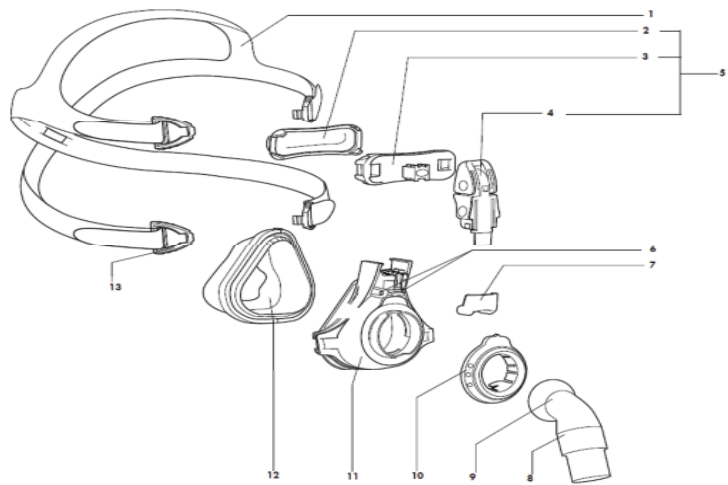
Gel, Small	DV97313	12
Gel, Medium	DV97323	12
Gel, Large	DV97333	12
Forehead Cushion, Gel	DV97227	2

Replacement Frame

Frame Only (mask without Cushions or Headgear)

Silicone, Small	DV97215	5 - 11
Silicone, Medium	DV97225	5 - 11
Silicone, Large	DV97235	5 - 11
Silicone, X-Large	DV97344	5 - 11

Gel, Small	DV97317	5 - 11
Gel, Medium	DV97327	5 - 11
Gel, Large	DV97337	5 - 11



PRODUCT DESCRIPTION

ITEM NUMBER

DRAWING ITEM

Replacement Headgear

Headgear, Universal Size	DV97360	1
--------------------------	---------	---

Replenishment Kits

Includes Cushion and Frame

Silicone, M	DV97471	6-12
Silicone, L	DV97472	6-12

Gel, M	DV97475	6-12
Gel, L	DV97476	6-12

Parts and Accessories

Headgear Clips Set, 4 pieces	DV97218	13
Forehead Support, Silicone	DV97217	5
Forehead Support, Gel	DV97216	5

Instructions

Instructions for Use	DV67105	N/A
Disinfection Instructions	DV67106	N/A

Replenishment
Kits Available!

Includes
Cushion and
Frame



DeVilbiss Healthcare LLC | 100 DeVilbiss Drive | Somerset, PA 15501 USA
800.338.1988 | 814.443.4881 | www.DeVilbissHealthcare.com