



EasyFit Nasal Mask, Silicone

EasyFit Nasal Mask, Gel

Nasal Mask

Device Description and Instructions for Use

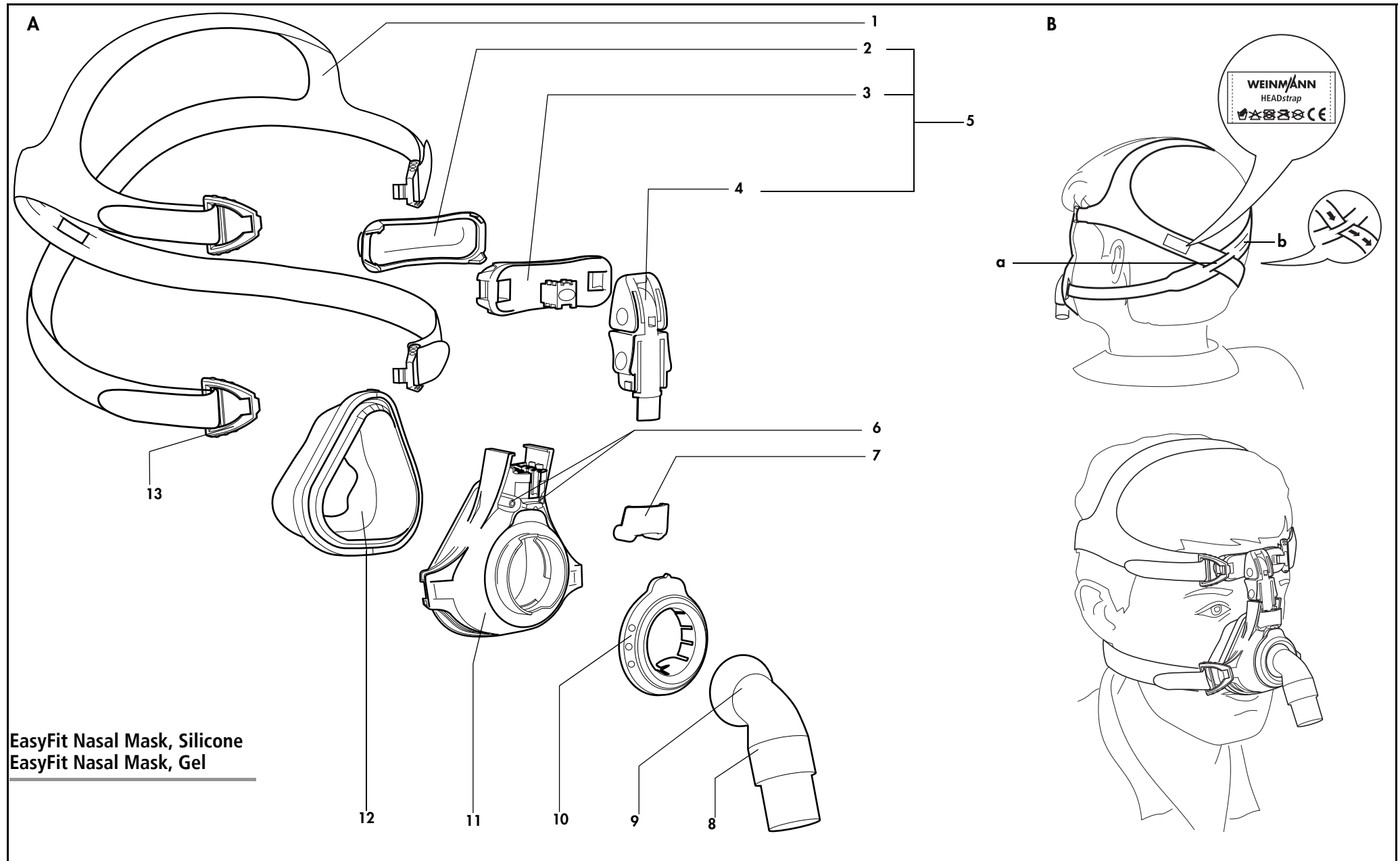
Caution:

Federal Law (U.S.A.) restricts this device to sale by or on the order of a physician.

Latex-free

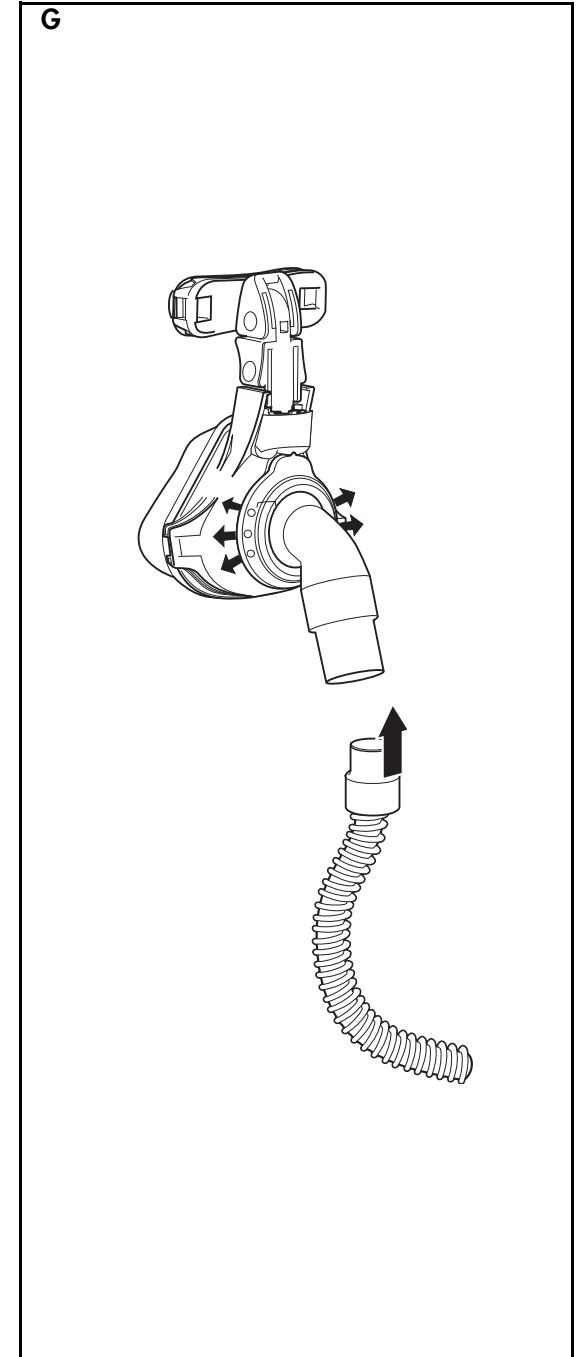
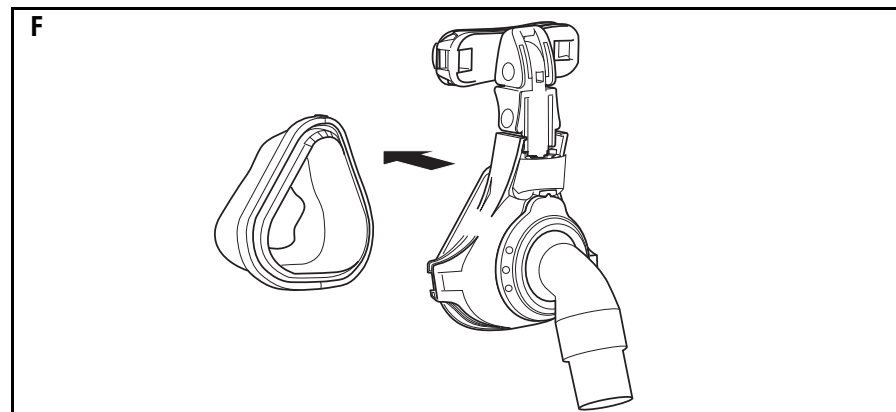
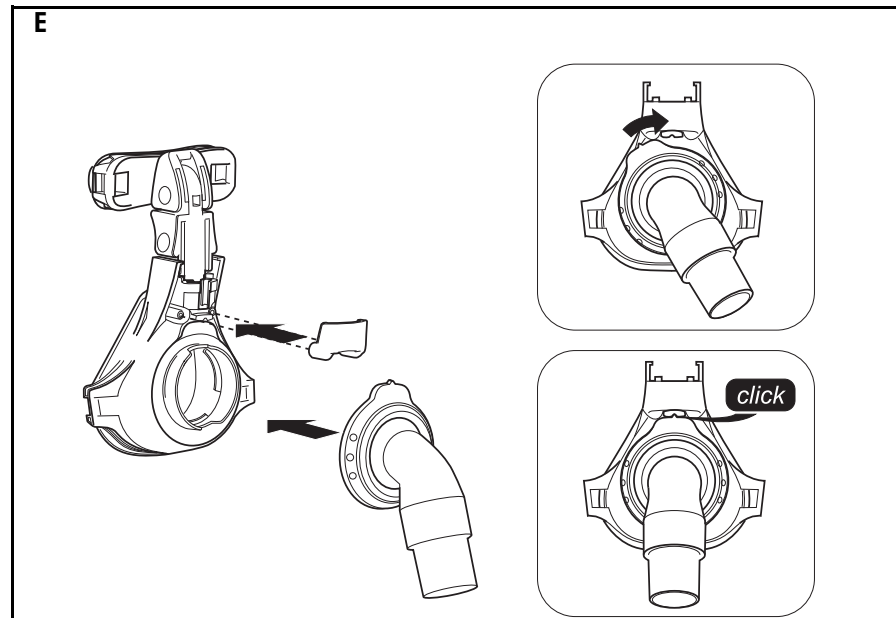
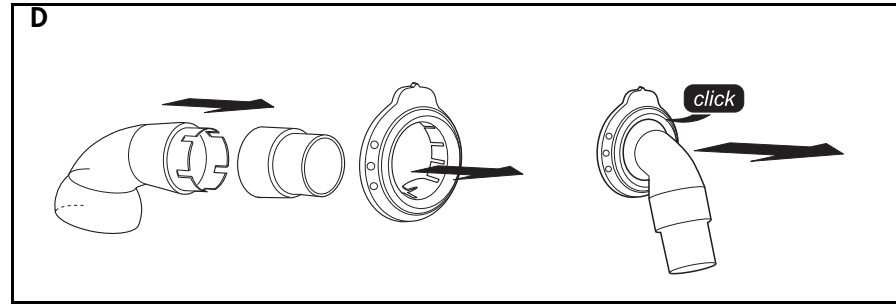
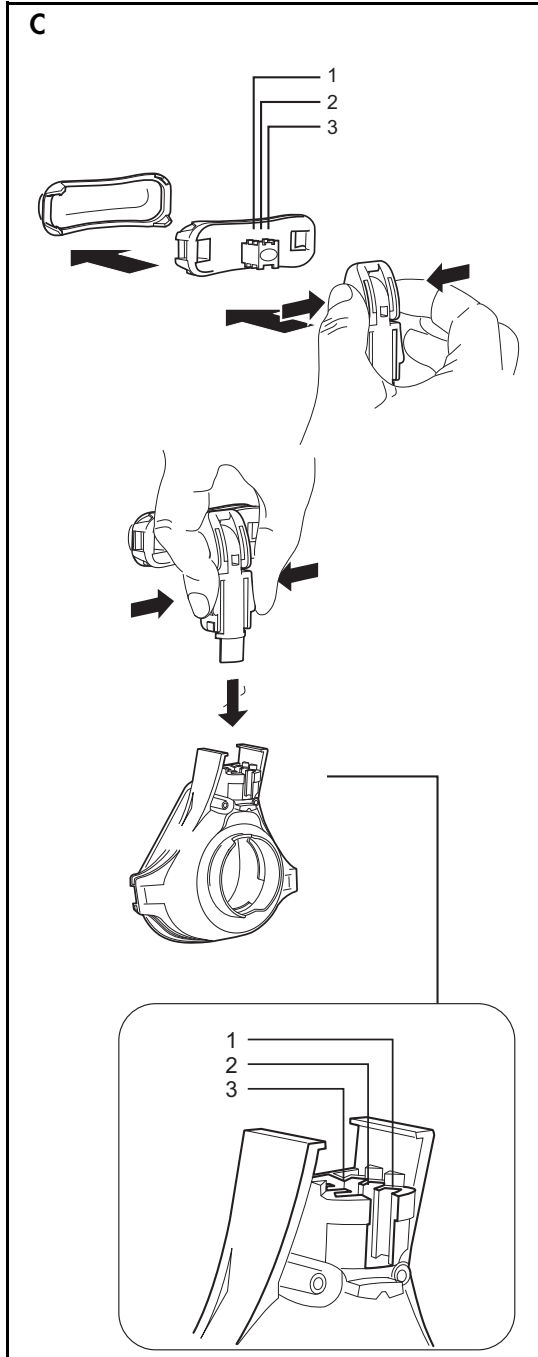
Overview

Note: The complete user information consists of this leaflet and the instructions for use.



EasyFit Nasal Mask, Silicone
EasyFit Nasal Mask, Gel

Operation



1 Device Description

Legend

(Description of individual parts: see enclosed leaflet)

- 1 Headgear
- 2 Forehead cushion
- 3 Fine adjustment component
- 4 Coarse adjustment component
- 5 Forehead support
- 6 Ports for pressure measurement
- 7 Oxygen port cap
- 8 Rotating sleeve
- 9 Elbow
- 10 Retaining ring
- 11 Mask frame
- 12 Mask cushion
- 13 Headgear clip

Intended Use

The nasal mask is intended for prescription use to be used during nasal CPAP or Bi-level Positive Pressure therapy for adult patients (> 66 pounds or 30 kg). The nasal mask is offered in two versions:

EasyFit Nasal Mask, Silicone
EasyFit Nasal Mask, Gel

Before use by the patient

Patients must be instructed in the use of the mask by qualified personnel before therapy begins.

2 Safety instructions

Warnings and cautions

For your safety, please observe the following points:



Warning

- Please read these instructions for use very carefully. They are a part of the product and should be available at all times.
- This mask should be used only with CPAP or bi-level systems recommended by your physician or respiratory therapist.
- If oxygen is used with the CPAP or bi-level system, the oxygen flow must be turned off when the CPAP or bi-level machine is not operating.

Explanation of the warning: When the CPAP or bi-level device is not in operation, and the oxygen flow is left on, oxygen delivered into the CPAP tubing may accumulate within the CPAP or bi-level machine enclosure. Oxygen accumulated in the CPAP or bi-level machine enclosure will create a risk of fire. This warning applies to most types of CPAP or bi-level systems.

- The mask is designed for therapy pressure between 4 and 30 cm H₂O. The nasal mask must not be used at higher or lower therapy pressures.
- Patients with limited spontaneous respiration must be monitored at all times. The appropriate negative pressure/leak alarm on the ventilation device must be activated.
- Patients with obstructive and restrictive lung diseases should be examined on an individual basis during use of the mask, for example with regard to re-inhalation of CO₂.
- The mask is equipped with an integral exhalation valve. Do not connect any additional exhalation valves as desired therapy pressure may not be reached.

- Do not put the nasal mask over your face for a prolonged period unless the therapy device is connected to the mask and switched on. The flow of air from the therapy device serves among other things to remove the exhaled air from the mask and hose. If the therapy device is not switched on, there is a risk of re-inhalation when you breathe through your nose. In some circumstances this may lead to suffocation.
- Do not close the openings in this mask except in situations described in these instructions for use. Otherwise there is a risk of re-inhaling CO₂ and suffocation.
- The connection to the device's hose system must be airtight and should not be allowed to loosen due to therapy pressure.
- Do not use a breathing hose that is electrically conductive.
- Clean the mask as described under Section 4 "Cleaning Instructions." Inappropriate cleaning procedures, unsuitable cleaning agents and infrequent cleaning can result in an infection or bacterial contamination and can impede the functioning of the mask.

Caution

- At low CPAP pressures the flow through the exhalation slots may be inadequate to clear all exhaled gas from the tubing. Some re-inhalation may occur.
- If supplemental oxygen is used, the inhaled oxygen concentration will vary, depending on the pressure settings, patient breathing pattern, mask selection and the leak rate.
- Malfunctions and a lack of biocompatibility may result if third-party articles are used. Bear in mind that in these cases any warranty entitlement and liability shall lapse if the accessories recommended in the instructions for use or original spare parts are not utilized.

Side effects

The following side effects may occur during short-term or long-term use: nasal congestion, dry nose, dry mouth in the morning, sinus pressure, irritation of the conjunctiva as well as irritating noises during exhalation.

Wearing the mask can also lead to tenderness of the face or reddening of the skin.

3 Operation

Fig. C-G: see enclosed leaflet.

3.1 Adjust forehead support (Fig. C)

Fine adjustment

Squeeze the upper side tabs of the coarse adjustment component inwards. Place the fine adjustment component in one of the stop positions shown.

The height of the forehead cushion can be adjusted (approx. 1 cm). To do this, turn the fine adjustment component through 180° and position it as described above.

Coarse adjustment

Squeeze the lower side tabs of the coarse adjustment component inwards. Place it in one of the slots in the mask frame.

3.2 Putting on the mask (Fig. B)

1. Unhook one of the lower headgear clips on the mask.
2. Guide the headgear over your head and hook the headgear clip back onto the mask.
3. Adjust the upper and lower straps of the headgear so that the mask sits firmly, but not too tightly, on your face.
The headgear provides the following options for you to do this (see also "Overview" on the attached leaflet):
 - coarse adjustments: slot "a" or "b" of the headgear.
 - fine adjustments: four hook-and-loop straps.

4. If necessary, re-adjust the forehead support.

3.3 Exhaled air system (Fig. G)

The mask has an integrated exhaled air system: the retaining ring and mask frame are shaped in such a way that a gap is formed between these parts. Through this gap the exhaled air can escape. The special geometry of the parts guarantees that when putting on the retaining ring the gap cannot be closed. Do not connect an external exhaled air system, otherwise the therapy pressure will not be reached.

3.4 Gel-filled mask components

EasyFit Nasal Mask, Gel comes with gel-filled mask and forehead cushion. Gel forehead cushions and gel mask cushions are also available as replacement parts.

Caution

Gel-filled mask components are highly sensitive. Always handle them with care to prevent deformation and damage.

3.5 Connecting the mask to a therapy device (Fig. G)

Push the hose of your therapy device onto the rotating sleeve.

Ensure that the connection to the hose is secure and airtight. The connection must not be loosened by the therapy pressure.

If you want to detach the mask temporarily from the hose, pull the rotating sleeve off the elbow.



Warning

In situations where the risk of contamination between the patient and the therapy device is high, a bacteria filter should be placed between the therapy device and the patient. Also refer to the instructions for use of your therapy device.

3.6 Ports for pressure measurement (Fig. E)

The mask is fitted with two ports that can be used to measure pressure or to feed in oxygen.

Caution

- Oxygen therapy can have side-effects if incorrectly administered or used in the wrong dosage. Use oxygen therapy only as prescribed by a physician.
- When carrying out oxygen therapy, strictly follow the instructions for use of your O₂ system and your therapy device.

When the oxygen ports are not in use, always close them with the cap provided, otherwise air will escape from the ports and the therapy pressure will not be reached.

3.7 Combining the mask with other devices

Therapy devices

The mask can be combined with all devices designed for carrying out the therapies described under "Intended Use."

Note that if unsuitable device combinations are used, the actual pressure in the mask may not correspond to the therapy pressure you have been prescribed.

This may also happen even if the correct pressure is indicated on the therapy device. Have your device combination adjusted by a physician or homecare provider so that the pressure in the mask corresponds to your therapy pressure.

Take account of the specifications in the instructions for use for the devices you intend combining with the nasal mask.

Using the mask with humidifiers

The nasal mask system can be used with a cold-air or warm-air humidifier.

The degree of humidity you choose should not be so high that water condenses in the air hose. Please be sure to read the instructions for use for your humidifier and your therapy device.

3.8 After use

1. Unhook one of the lower headgear clips from the mask, and guide headgear over your head to remove.
2. Proceed as described in Section 4 "Cleaning Instructions."

3.9 Disassembling/reassembling the mask

Disassembling the mask (Fig. F-C)

1. Detach the mask cushion from the mask frame.
2. Remove the cap from the pressure measurement ports.
3. Rotate the retaining ring counter-clockwise. Now pull the retaining ring and the elbow away from the mask frame.
4. Press the elbow through and out of the retaining ring and pull the rotating sleeve off the elbow.
5. Detach the coarse adjustment component from the mask frame.
6. Detach the fine adjustment component from the coarse adjustment component. Then detach the forehead cushion from the fine adjustment component.

Reassembling the mask (Fig. C-F)

1. Attach the forehead cushion to the fine adjustment component. Then attach the fine adjustment component to the coarse adjustment component.
2. Attach the coarse adjustment component to the mask frame.
3. Push the rotating sleeve onto the elbow until you hear it click into place.
4. Press the elbow into the retaining ring until you hear it click into place.
5. Attach the retaining ring and elbow onto the mask frame. Turn the retaining ring clockwise until you hear it click into place.
6. Push the cap onto the pressure measurement ports.

7. Attach the mask cushion to the mask frame.
8. Fasten the headgear to the mask with the clips.

4 Cleaning Instructions

4.1 Schedule

Daily

Disassemble the mask before cleaning. Immerse all mask components in warm water. Use a mild cleaning agent (e.g., hand dishwashing detergent). Use a piece of soft cloth to remove residue. To clean cavities use a soft brush. After cleaning, rinse all parts carefully with clean water.



Warning

For patients with a weakened immune system or a special medical history daily disinfection or sterilization may be necessary. In this case, please consult your physician.

Caution

- Take great care when cleaning the contact surfaces between the mask frame and the retaining ring. Residues on these surfaces can reduce the success of the therapy and the functioning of the integrated exhaled air system.

Note

This mask system is approved for multiple-patient use in sleep laboratories, provided that appropriate hygienic measures are taken. Please contact your distributor to obtain detailed cleaning and disinfection instructions for multiple-patient use (order no. DV67106).

Weekly

Wash the headgear weekly by hand in warm water. Use a mild detergent. Then rinse all parts in clean water and allow to air-dry.

Note

- Wash the headgear before using for the first time, as the color might run.
- The headgear may only be washed by hand!
- Do not iron the headgear, otherwise the hook-and-loop closures will no longer work.

4.2 After cleaning

Dry all parts thoroughly after cleaning. Check the components for residual contamination or damage. If necessary, repeat the cleaning. Replace damaged parts. Reassemble the mask.

5 Functional Checks

Carry out a visual check once per week.

If the mask cushion is no longer airtight due to cracks or splits, replace it with a new one. Yellowing of the mask cushion or the forehead cushion does not indicate malfunction or damage.

Please check the functional capacity and air tightness of the ball-and-socket joint. If it no longer moves easily or is no longer airtight due to cracks or splits, replace the elbow connection and/or the body of the mask accordingly.

See section 7 "Item List" for information regarding replacement parts.

Parts no longer used can be disposed of as normal household waste.

6 Troubleshooting

Problem	Cause	Solution
Painful pressure on the face.	Mask is too tight.	Loosen headgear slightly. Adjust position of forehead support.
Draft in the eyes.	Mask is too loose.	Tighten headgear slightly. Adjust position of forehead support.
	Mask does not fit.	Use a different size of mask; contact your distributor.
Therapy pressure is not reached.	Mask not adjusted correctly.	Adjust headgear. Adjust position of forehead support.
	Mask cushion is damaged.	Replace mask cushion.
	Hose system is leaking.	Check rotating sleeve and hose fit connection.
	Air is escaping from pressure measurement ports.	Cover pressure measurement ports with cap (included in package).

7 Item List

Note

All masks are supplied fully assembled.
Headgear and instructions for use DV67105 are included.

Complete System

Frame, Cushions, and Headgear		
Description	Item No.	Fig. A Label No.
Silicone, Small	DV97210	1-12
Silicone, Medium	DV97220	1-12
Silicone, Large	DV97230	1-12
Silicone, X-Large	DV97240	1-12
Gel, Small	DV97312	1-12
Gel, Medium	DV97322	1-12
Gel, Large	DV97332	1-12
Gel, X-Large	N/A	

Replacement Cushions

Description	Item No.	Fig. A Label No.
Silicone, Small	DV15812	12
Silicone, Medium	DV15813	12
Silicone, Large	DV15814	12
Silicone, X-Large	DV15815	12
Forehead Cushion, Silicone	DV97300	2
Gel, Small	DV97313	12
Gel, Medium	DV97323	12
Gel, Large	DV97333	12
Gel, X-Large	N/A	
Forehead Cushion, Gel	DV97227	2

Replacement Frame

Frame only (mask without Cushions or Headgear)		
Description	Item No.	Fig. A Label No.
Silicone, Small	DV97215	5-11
Silicone, Medium	DV97225	5-11
Silicone, Large	DV97235	5-11
Silicone, X-Large	DV97344	5-11
Gel, Small	DV97317	5-11
Gel, Medium	DV97327	5-11
Gel, Large	DV97337	5-11
Gel, X-Large	N/A	

Replacement Headgear

Description	Item No.	Fig. A Label No.
Headgear, Universal Size	DV97360	1

Parts and Accessories

Description	Item No.	Fig. A Label No.
Headgear Clips Set, 4 Pieces	DV97218	13
Forehead Support, Silicone	DV97217	5
Forehead Support, Gel	DV97216	5
Replenishment Parts, Silicone, Medium	DV97471	
Replenishment Parts, Silicone, Large	DV97472	
Replenishment Parts, Gel, Medium	DV97475	
Replenishment Parts, Gel, Large	DV97476	

Instructions

Description	Item No.	Fig. A Label No.
Instructions for Use	DV67105	N/A
Disinfection Instructions	DV67106	N/A

8 Technical Data

Specifications

EasyFit masks	Value
Dimensions (WxHxD)*:	c. 80 x 130 x 90 mm c. 3.15 x 5.2 x 3.54"
Weight*:	c. 110 grams c. 3.88 oz
Therapy pressure range:	4 to 30 cm H ₂ O
Hose connector:	male Ø 22 mm conical connector
Pressure measurement ports:	Ø 4 mm = 0.157"
Width of headgear clip:	max. 20 mm = 0.787"
Temperature range Operation:	+ 5 °C to + 40 °C 41 °F to 104 °F
Storage:	- 20 °C to + 70 °C -4 °F to 158 °F
Dead space	
Size S	96 ml (5.86 in ³)
Size M	112 ml (6.83 in ³)
Size L	120 ml (7.32 in ³)
Size XL	150 ml (9.15 in ³)
Gel, Size S	80 ml (4.88 in ³)
Gel, Size M	100 ml (6.10 in ³)
Gel, Size L	130 ml (7.93 in ³)
Flow resistance at 50 l/min	0.02 cm H ₂ O
at 100 l/min	0.11 cm H ₂ O
Sound pressure level at 10 cm H ₂ O	27 dB(A)

* depending on size and type

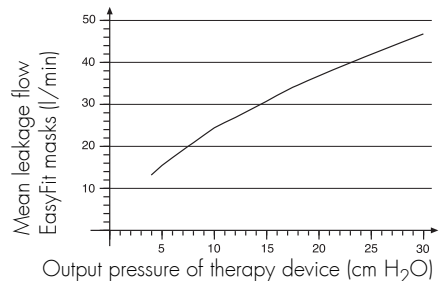
Material

Article	Material
Mask cushion, oxygen port cap	Silicone
Mask cushion Gel	Silicone, silicone gel
Forehead cushion, retaining ring	TPE, Polypropylene
Forehead cushion Gel	Silicone, silicone gel, polycarbonate
Mask frame, elbow	Polycarbonate
Headgear	Nylon/ Spandex Polyurethane Polyester/Lycra
Rotating sleeve, forehead support coarse adjustment component, forehead support fine adjustment component	Polypropylene
Headgear clips	POM

All mask components are latex-free.

Characteristic pressure/flow graph

The characteristic pressure/flow graph shows the outlet flow as a function of therapy pressure.



9 Warranty

DeVilbiss warrants that on delivery your EasyFit mask system including its components: mask cushion, mask frame, elbow, oxygen port cap, forehead cushion, forehead support, retaining ring, rotating sleeve, headgear clips and headgear is free from defects in material and workmanship.

Patents

US 6,926,004; US 5,715,814 and other US patents pending.

Manufactured by:

Weinmann
Geräte für Medizin GmbH+Co. KG
P.O. Box 54 02 68 · 22502 Hamburg
Germany
Phone +49/40/5 47 02-0
Fax +49/40/54 70 24 61
E-mail info@weinmann.de
Internet www.weinmann.de

Distributed by:

DeVilbiss Healthcare LLC
100 DeVilbiss Drive
Somerset, Pennsylvania, 15501
USA
Phone 814.443.4881
Internet www.devilbisshealthcare.com

© 2009 DeVilbiss Healthcare
EasyFit™ is a trademark of DeVilbiss
Healthcare LLC.

DV67105a - 04.11